



DISPLAY WARMER



Food Warmer/Display Case, Countertop, Revolving Four Tier Interior Rack, Capacity (4) 19 3/4" Pizzas, Inside Water Pan for Humidity, Adjustable Heat Control, Tempered Glass Front, Sides & Door, Stainless Steel Construction, 120V/60/1P/11.5A



PROJECT _____

ITEM NO. _____

NOTES _____

MODEL NUMBER: **DRPR4**



FEATURES

- Easy to Ready Thermostat
- Adjustable Temperature Control up to 175°F
- Removable Glass Panels
- Internal Water Pan for Added Humidity
- (4) Rotating Stainless Steel Shelves

CONSTRUCTION

- Stainless Steel Construction
- Adjustable Feet
- Compact & Illuminated

OPTIONS & ACCESSORIES

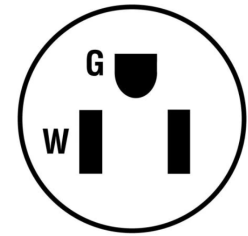
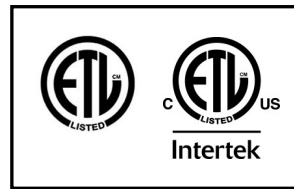
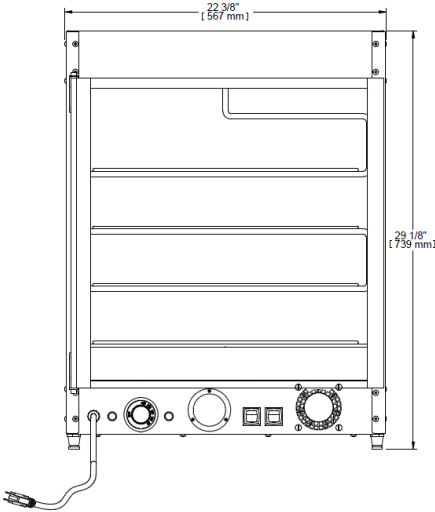
- Pass Thru Doors (SUFFIX PT)

CAPACITY

- (4) 19" Pizzas - 1 Per Shelf
- (16) 9" Pizzas - 4 Per Shelf

WARRANTY

- One Year Labor & Two Year Parts



Model	Crated Weight	Overall Dimensions			Shelf Spacing	Door Opening	Electrical System					
		W	D	H			Volts	Amps	kW	Hz	Wires	NEMA
DRPR4	150 (68)	22 3/8" (567)	23 3/4" (604)	29 1/8" (739)	4" (101)	19 3/4" (502)	120	11.5	1.4	60	2	5-15P

SPECIFICATIONS SUBJECT TO CHANGE WITHOUT NOTICE

KCL & REVIT DRAWINGS UPON REQUEST

REVISION A | 4/21/2021

Follow Us



Doyon

5600 13th Street, Menominee, MI 49858

906.863.4401 | 800.338.9886 | www.doyon.qc.ca

